

LLEDxxx-yz

THIS DRAWING AND ALL DATA INCLUDED IS THE PROPERTY OF APPLIED SCIENTIFIC INSTRUMENTATION AND THE INFORMATION CONTAINED HEREIN IS FOR GENERAL PRESENTATION PURPOSES ONLY AND MAY CHANGE AT ANY TIME. CONTACT ASI OR A FACTORY REPRESENTATIVE FOR PROJECT SPECIFIC ENGINEERING.

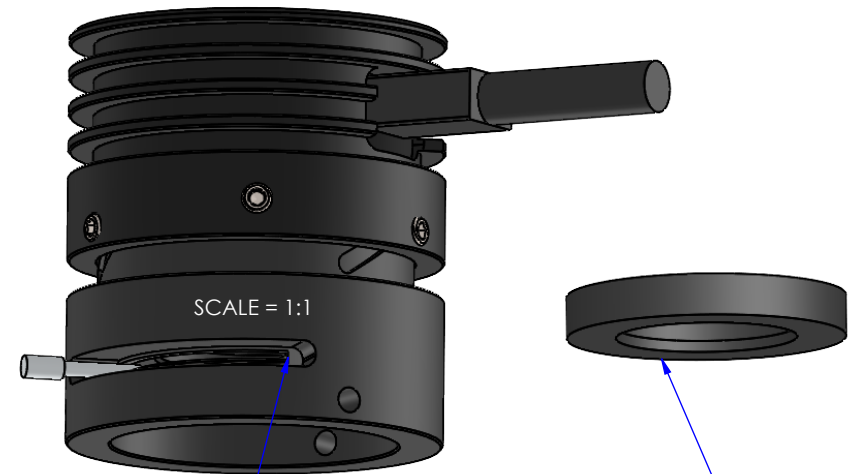
xxx SPECIFIES LED COLOR

LED WAVELENGTHS IN nm (*CHECK AVAILABILITY BEFORE ORDERING)

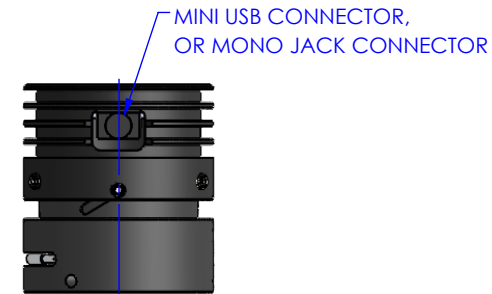
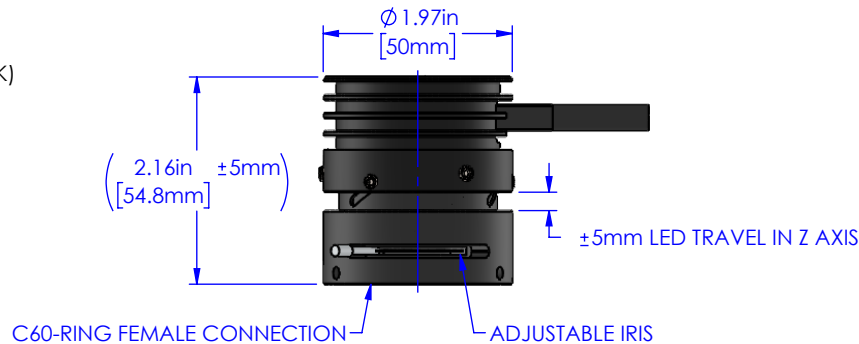
- 365
- 385
- 405
- 420
- 450
- 455
- 480
- 490
- 505
- 525
- 539
- 590
- 590
- 625
- 630
- 635
- 640
- 660
- 680
- 740
- 760
- 780
- 850
- 940

COOL WHITE (5500K)
NEUTRAL WHITE (4100K)

PART #	DESCRIPTION
LLEDxxx-RI	Includes iris and onboard regulator. Controlled with TTL signal
LLEDxxx-RN	Excludes iris. Includes onboard regulator. Controlled with TTL signal
LLEDxxx-AI	Includes iris. Requires either TGLED or WK-DUAL-LED-BRD.
LLEDxxx-AN	Excludes iris. Requires either TGLED or WK-DUAL-LED-BRD.
LLEDxxx-SI	Includes iris. Requires TGLED-S.
LLEDxxx-SN	Excludes iris. Requires TGLED-S



IRIS COVER WHEN IRIS IS EXCLUDED
IRIS COVER ALSO HAS PROVISION FOR 25mm LENS/FILTER



PROPRIETARY AND CONFIDENTIAL
THE INFORMATION CONTAINED IN THIS DRAWING IS THE SOLE PROPERTY OF APPLIED SCIENTIFIC INSTRUMENTATION. ANY REPRODUCTION IN PART OR AS A WHOLE WITHOUT THE WRITTEN PERMISSION OF APPLIED SCIENTIFIC INSTRUMENTATION IS PROHIBITED.

APPLIED SCIENTIFIC INSTRUMENTATION
29391 W ENID RD
EUGENE, OR 97402-9533
PHONE: (541)461-8181
FAX: (541)461-4018

UNLESS OTHERWISE SPECIFIED
DIMENSIONS ARE IN INCHES
.xx ± .01
.xxx ± .005
.xxxx ± .0002
FRACTIONS ± 1/32
ANGLES ± 1°

DESCRIPTION	
HIGH BRIGHTNESS LED LAMP ILLUMINATOR WITH AXIAL ADJUSTMENT	
MATERIAL	DRAWING #
6061, ANODIZED BLK	LLEDxxx-yz

DRAWN BY/DATE
M.ANTHONY 11/16/23

CHECKED BY/DATE
V.MARSO 11/16/23

SCALE
1:2

REV
-